



SYMBIOSIS INTERNATIONAL (DEEMED UNIVERSITY)

(Established under section 3 of the UGC Act 1956)

Re-Accredited by NAAC with 'A' grade (3.58/4) | Awarded Category - I by UGC

Founder : Prof. Dr. S. B. Mujumdar M.Sc. Ph.D. (Awarded Padma Bhushan and Padma Shri by President of India)

Notification No. SIU/U- 28/ 1151 dated 23rd May, 2022

Subject: Degree Programmes of the Academic Year 2022-23

It is hereby notified for the information of all concerned that the (I) Name, Abbreviation & Code number for the Faculty, (II) Off Campus Centres, Code number & Abbreviation for Constituent Departments/ Skills & Continuing Education Departments and Research Centers/ Support Departments (III) Name, Abbreviation, Duration, Sanctioned Intake & Programme Code of the Degree Programmes (IV) Programmes Deferred*/ Staggered**/ Discontinued*** (V) Summary of the Degree Programmes and (VI) Procedure for allotment of permanent registration number to the students for the academic year 2022-23 shall be as follows:

I) Name, Abbreviation & Code number for the Faculty

No.	Name of the Faculty	Abbreviation	Code No
1.	Faculty of Law	FoL	01
2.	Faculty of Management	FoM	02
3.	Faculty of Computer Studies	FoCS	03
4.	Faculty of Health Sciences	FoHS	04
5.	Faculty of Media and Communication	FoMC	05
6.	Faculty of Humanities and Social Sciences	FoHSS	06
7.	Faculty of Engineering	FoE	07
8.	Faculty of Architecture and Design	FoAD	08

II) Off Campus Centres, Code number for Constituent Departments/ Skills & Continuing Education Departments and Research Centers/ Support Departments existing in the Academic Year 2022-23

A) Off-Campus Centres (4)

Sr. No.	Name of the Off Campus	Year of Establishment
1.	Symbiosis International (Deemed University), Off Campus Centre, Bengaluru	2008
2.	Symbiosis International (Deemed University), Off Campus Centre, NOIDA	2010
3.	Symbiosis International (Deemed University), Off Campus Centre, Hyderabad	2014
4.	Symbiosis International (Deemed University), Off Campus Centre, Nagpur	2019

B) Constituents (40)

Sr. No.	Name of the Constituent	Abbreviation	Year of Establishment	Faculty Code No.	Constituents Code No.
1.	Symbiosis Law School, Pune	SLS, Pune	2002	01	01
2.	Symbiosis Institute of Business Management, Pune	SIBM, Pune	2002	02	01
3.	Symbiosis Institute of Computer Studies and Research	SICSR	2002	03	01
4.	Symbiosis Centre for Management Studies, Pune	SCMS, Pune	2005	02	06
5.	Symbiosis Institute of Health Sciences	SIHS	2005	04	01
6.	Symbiosis Centre for Management and Human Resource Development	SCMHRD	2006	02	03
7.	Symbiosis Institute of International Business	SIIB	2006	02	02
8.	Symbiosis Institute of Digital and Telecom Management	SIDTM	2006	02	05
9.	Symbiosis Institute of Management Studies	SIMS	2006	02	04
10.	Symbiosis Institute of Media and Communication	SIMC	2006	05	01
11.	Symbiosis Institute of Operations Management, Nashik	SIOM, Nashik	2006	02	07
12.	Symbiosis Centre for Information Technology	SCIT	2006	03	02
13.	Symbiosis Institute of Geoinformatics	SIG	2006	07	02
14.	Symbiosis Institute of Design	SID	2006	08	01
15.	Symbiosis College of Nursing SCON	SCON	2007	04	02

Sr. No.	Name of the Constituent	Abbreviation	Year of Establishment	Faculty Code No.	Constituents Code No.
16.	Symbiosis School of Economics	SSE	2008	06	02
17.	Symbiosis Institute of Business Management, Bengaluru	SIBM, Bengaluru	2008	02	08
18.	Symbiosis Institute of Technology, Pune	SIT, Pune	2008	07	01
19.	Symbiosis Centre for Media and Communication	SCMC	2009	05	04
20.	Symbiosis School of Media and Communication, Bengaluru	SSMC, Bengaluru	2009	05	03
21.	Symbiosis Law School, NOIDA	SLS, NOIDA	2010	01	02
22.	Symbiosis Centre for Management Studies, NOIDA	SCMS, NOIDA	2010	02	10
23.	Symbiosis School of Banking and Finance	SSBF	2010	02	09
24.	Symbiosis School for Liberal Arts	SSLA	2011	06	03
25.	Symbiosis School of Biological Sciences	SSBS	2011	04	03
26.	Symbiosis School of Visual Arts and Photography	SSVAP	2012	05	05
27.	Symbiosis School of International Studies	SSIS	2013	06	04
28.	Symbiosis Law School	SLS, Hyderabad	2014	01	03
29.	Symbiosis Institute of Business Management, Hyderabad	SIBM, Hyderabad	2014	02	11
30.	Symbiosis School of Culinary Arts	SSCA	2016	04	06
31.	Symbiosis School of Sports Sciences	SSSS	2016	04	05
32.	Symbiosis Statistical Institute	SSI	2018	06	06
33.	Symbiosis Law School, Nagpur	SLS, Nagpur	2019	01	04
34.	Symbiosis Institute of Business Management, Nagpur	SIBM, Nagpur	2019	02	12
35.	Symbiosis School of Planning, Architecture and Design, Nagpur	SSPAD, Nagpur	2019	08	02
36.	Symbiosis Centre for Management Studies, Nagpur	SCMS, Nagpur	2019	02	13
37.	Symbiosis Medical College for Women & Symbiosis University Hospital and Research Centre	SMCW & SUHRC	2019	04	13
38.	Symbiosis Centre for Management Studies, Bengaluru	SCMS, Bengaluru	2021	02	19
39.	Symbiosis Institute of Technology, Nagpur	SIT, Nagpur	2021	07	05

Sr. No.	Name of the Constituent	Abbreviation	Year of Establishment	Faculty Code No.	Constituents Code No.
40.	Symbiosis Centre for Management Studies, Hyderabad	SCMS, Hyderabad	2022	02	20

C] DEPARTMENTS OF SKILLS & CONTINUING EDUCATION (10)

Skills and Continuing Education Department are established for skill development & continues learning.

Sr. No.	Name of the Departments of Skill & Continuing Education	Abbreviation	Year of Establishment	Faculty Code No.	Department of Skills & Continuing Education Code No.
1.	English Language Teaching Institute of Symbiosis	ELTIS	2007	06	01
2.	Symbiosis Institute of Foreign and Indian Languages	SIFIL	2007	06	09
3.	Symbiosis Centre for Corporate Education, Pune	SCCE, Pune	2010	02	14
4.	Symbiosis Centre for Health Skills	SCHS	2015	04	08
5.	Symbiosis Centre for Yoga	SCY	2016	04	04
6.	Symbiosis School of Open and Distance Learning	SSODL	2019	04	07
7.	Symbiosis Centre for Corporate Education, NOIDA	SCCE, NOIDA	2019	02	15
8.	Symbiosis Centre for Corporate Education (SCCE), Nagpur	SCCE, Nagpur	2019	02	16
9.	Symbiosis Centre for Skill Development, Nagpur	SCSD, Nagpur	2019	02	17
10.	Symbiosis Centre for Corporate Education, Hyderabad	SCCE, Hyderabad	2019	02	18

D] RESEARCH CENTRES (11)

Research Centres are established by the University to conduct research in their relevant & allied field.

Sr. No.	Name of the Research Centre	Abbreviation	Year of Establishment
1.	Symbiosis Centre for Advanced Legal Studies and Research	SCALSAR	2013
2.	Symbiosis Centre for Waste Resource Management	SCWRM	2015
3.	Symbiosis Centre for Stem Cell Research	SCSCR	2016

Sr. No.	Name of the Research Centre	Abbreviation	Year of Establishment
4.	Symbiosis Centre for Behavioural Studies	SCBS	2017
5.	Symbiosis Centre for Nanoscience and Nanotechnology	SCNN	2017
6.	Symbiosis Centre for Medical Image Analysis	SCMIA	2017
7.	Symbiosis Centre for Applied Artificial Intelligence	SCAAI	2019
8.	Symbiosis Centre for India Australia Studies	SCIAS	2022
9.	Symbiosis Centre for Research on International Higher Education	SCRIHE	2022
10.	Symbiosis Centre for Urban Studies	SCUS	2022
11.	Symbiosis Centre for Climate Change and Sustainability	SCCCS	2022

EJ SUPPORT DEPARTMENTS (10)

Support Departments are established to facilitate the activities of the Constituents of the University

Sr. No.	Name of the Support Department	Abbreviation	Year of Establishment
1.	Symbiosis Centre for International Education	SCIE	2008
2.	Symbiosis Centre for Research and Innovation	SCRI	2009
3.	Symbiosis Teaching Learning Resource Centre	STLRC	2011
4.	Symbiosis Community Outreach Programme and Extension	SCOPE	2012
5.	Symbiosis Centre for Entrepreneurship and Innovation	SCEI	2014
6.	Symbiosis Centre for Alumni Engagement	SCAE	2017
7.	Symbiosis Centre for Emotional Wellbeing	SCEW	2018
8.	Symbiosis Centre for European Studies	SCES	2019
9.	Department of Sports, Recreation and Wellness	DSRW	2019
10.	Symbiosis Centre for Leadership Development	SCLD	2019

III) NAME, ABBREVIATION, DURATION, SANCTIONED INTAKE & CODE NUMBER OF THE PROGRAMMES OF CONSTITUENTS/ SKILLS & CONTINUING EDUCATION DEPARTMENTS

A) FACULTY OF LAW

Sr. No.	Name of the Programme	Abbreviation	Duration	Sanctioned Intake	Programme Code
1	Doctor of Philosophy	Ph.D.	3 Years	-	019001

1. Symbiosis Law School, Pune (SLS), Pune

a) Post Graduate Degree Programme (Full Time) SLS, Pune

Sr. No.	Name of the Programme	Abbreviation	Duration	Sanctioned Intake	Programme Code
1	Master of Laws	LL.M.	1 Year	80	010143

b) Under Graduate Degree Programmes (Full Time) SLS, Pune

Sr. No.	Name of the Programme	Abbreviation	Duration	Sanctioned Intake	Programme Code
1	Bachelor of Laws	LL.B.	3 Years	60	010122
2	Bachelor of Arts and Bachelor of Laws (Honours)	B.A. LL.B. (Honours)	5 Years	120	010125
3	Bachelor of Business Administration and Bachelor of Laws (Honours)	B.B.A. LL.B. (Honours)	5 Years	180	010126

2. Symbiosis Law School, Noida (SLS), NOIDA

a) Post Graduate Degree Programme (Full Time) SLS, NOIDA

Sr. No.	Name of the Programme	Abbreviation	Duration	Sanctioned Intake	Programme Code
1	Master of Laws	LL.M.	1 Year	20	010241

b) Under Graduate Degree Programmes (Full Time) SLS, NOIDA

Sr. No.	Name of the Programme	Abbreviation	Duration	Sanctioned Intake	Programme Code
1	Bachelor of Arts and Bachelor of Laws	B.A. LL.B.	5 Years	120	010223
2	Bachelor of Business Administration and Bachelor of Laws	B.B.A. LL.B.	5 Years	180	010224

3. Symbiosis Law School, Hyderabad (SLS), Hyderabad

a) Post Graduate Degree Programme (Full Time) SLS, Hyderabad

Sr. No.	Name of the Programme	Abbreviation	Duration	Sanctioned Intake	Programme Code
1	Master of Laws	LL.M.	1 Year	10	010341

b) Under Graduate Degree Programmes (Full Time) SLS, Hyderabad

Sr. No.	Name of the Programme	Abbreviation	Duration	Sanctioned Intake	Programme Code
1	Bachelor of Arts and Bachelor of Laws	B.A. LL.B.	5 Years	120	010323
2	Bachelor of Business Administration and Bachelor of Laws	B.B.A. LL.B.	5 Years	120	010324

4. Symbiosis Law School, Nagpur (SLS), Nagpur

a) Post Graduate Degree Programme (Full Time) SLS, Nagpur

Sr. No.	Name of the Programme	Abbreviation	Duration	Sanctioned Intake	Programme Code
1	Master of Laws	LL.M.	1 Year	20	010441

b) Under Graduate Degree Programme (Full Time) SLS, Nagpur

Sr. No.	Name of the Programme	Abbreviation	Duration	Sanctioned Intake	Programme Code
1	Bachelor of Arts and Bachelor of Laws	B.A. LL.B.	5 Years	120	010421
2	Bachelor of Business Administration and Bachelor of Laws	B.B.A. LL.B.	5 Years	120	010422

B) FACULTY OF MANAGEMENT

Sr. No.	Name of the Programme	Abbreviation	Duration	Sanctioned Intake	Programme Code
1	Doctor of Philosophy	Ph.D.	3 Years	-	029001



1. Symbiosis Institute of Business Management (SIBM), Pune

a) Post Graduate Degree Programmes (Full Time) SIBM, Pune

Sr. No.	Name of the Programme	Abbreviation	Duration	Sanctioned Intake	Programme Code
1	Master of Business Administration	M.B.A.	2 Years	180	020141
2	Master of Business Administration (Innovation and Entrepreneurship)	M.B.A. (Innovation and Entrepreneurship)	2 Years	60	020143

b) Post Graduate Degree Programme (Part Time) SIBM, Pune

Sr. No.	Name of the Programme	Abbreviation	Duration	Sanctioned Intake	Programme Code
1	Master of Business Administration (Executive)	M.B.A. (Executive)	30 Months	60*	020148

*Intake decreased from 100 to 60 from Academic Year 2022-23 vide Resolution No. A14: BoM: 10.02.2022

2. Symbiosis Institute of International Business (SIIB)

a) Post Graduate Degree Programmes (Full Time) SIIB

Sr. No.	Name of the Programme	Abbreviation	Duration	Sanctioned Intake	Programme Code
1	Master of Business Administration (International Business)	M.B.A. (International Business)	2 Years	120	020241
2	Master of Business Administration (Agri Business)	M.B.A. (Agri Business)	2 Years	60	020242
3	Master of Business Administration (Energy and Environment)	M.B.A. (Energy and Environment)	2 Years	30	020243



3. Symbiosis Centre for Management and Human Resource Development (SCMHRD)

a) Post Graduate Degree Programme (Full Time) SCMHRD

Sr. No.	Name of the Programme	Abbreviation	Duration	Sanctioned Intake	Programme Code
1	Master of Business Administration	M.B.A.	2 Years	180	020341
2	Master of Business Administration (Business Analytics)	M.B.A. (Business Analytics)	2 Years	60	020343
3	Master of Business Administration (Infrastructure Development and Management)	M.B.A. (Infrastructure Development and Management)	2 Years	60	020344

b) Post Graduate Degree Programme (Full Time) SCMHRD

Sr. No.	Name of the Programme	Abbreviation	Duration	Sanctioned Intake	Programme Code
1	Master of Business Administration (Executive)	M.B.A. (Executive)	30 Months	30*	020348

*Intake decreased from 120 to 30 from Academic Year 2022-23 vide Resolution No. A13: BoM: 10.02.2022

4. Symbiosis Institute of Management Studies (SIMS)

a) Post Graduate Degree Programme (Full Time) SIMS

Sr. No.	Name of the Programme	Abbreviation	Duration	Sanctioned Intake	Programme Code
1	Master of Business Administration	M.B.A.	2 Years	300	020441

b) Post Graduate Degree Programme (Part Time) SIMS

Sr. No.	Name of the Programme	Abbreviation	Duration	Sanctioned Intake	Programme Code
1	Master of Business Administration (Executive)	M.B.A. (Executive)	30 Months	180*	020448

*Intake increased from 120 to 180 from Academic Year 2022-23 vide Resolution No. A1(ii): BoM: 15.04.2022



5. Symbiosis Institute of Digital and Telecom Management (SIDTM)

Post Graduate Degree Programme (Full Time) SIDTM

Sr. No.	Name of the Programme	Abbreviation	Duration	Sanctioned Intake	Programme Code
1	Master of Business Administration (Digital and Telecom Management)	M.B.A. (Digital and Telecom Management)	2 Years	150	020542

6. Symbiosis Centre for Management Studies (SCMS), Pune

Under Graduate Degree Programme (Full Time) SCMS, Pune

Sr. No.	Name of the Programme	Abbreviation	Duration	Sanctioned Intake	Programme Code
1	Bachelor of Business Administration	B.B.A.	3 Years	240	020621

7. Symbiosis Institute of Operations Management (SIOM), Nashik

Post Graduate Degree Programme (Full Time) SIOM, Nashik

Sr. No.	Name of the Programme	Abbreviation	Duration	Sanctioned Intake	Programme Code
1	Master of Business Administration (Operations Management)	M.B.A. (Operations Management)	2 Years	120	020741
2	+ Master of Business Administration (Agri Operations Management)	M.B.A. (Agri Operations Management)	2 Years	30	020742

+ Master of Business Administration (Agri Operations Management) commences from the Academic Year 2022-23. vide Résolution No.B6 : BoM : 11.09.2021

8. Symbiosis Institute of Business Management (SIBM), Bengaluru

a) Post Graduate Degree Programme (Full Time) SIBM, Bengaluru

Sr. No.	Name of the Programme	Abbreviation	Duration	Sanctioned Intake	Programme Code
1	Master of Business Administration	M.B.A.	2 Years	180	020841
2	Master of Business Administration (Quantitative Finance)	M.B.A. (Quantitative Finance)	2 Years	30	020844
3	Master of Business Administration (Business Analytics)	M.B.A. (Business Analytics)	2 Years	30	020845

b) Post Graduate Degree Programme (Part Time) SIBM, Bengaluru

Sr. No.	Name of the Programme	Abbreviation	Duration	Sanctioned Intake	Programme Code
1	Master of Business Administration (Executive)	M.B.A. (Executive)	30 Months	30	020848

9. Symbiosis School of Banking and Finance (SSBF)

Post Graduate Degree Programme (Full Time) SSBF

Sr. No.	Name of the Programme	Abbreviation	Duration	Sanctioned Intake	Programme Code
1	Master of Business Administration (Banking and Finance)	M.B.A. (Banking and Finance)	2 Years	90*	020942

* Intake increased from 60 to 90 from the Academic Year 2022-23 vide Resolution No.A10 : BoM : 10.02.2022

10. Symbiosis Centre for Management Studies (SCMS), NOIDA

Under Graduate Degree Programme (Full Time) SCMS, NOIDA

Sr. No.	Name of the Programme	Abbreviation	Duration	Sanctioned Intake	Programme Code
1	Bachelor of Business Administration	B.B.A.	3 Years	300	021021

11. Symbiosis Institute of Business Management (SIBM), Hyderabad

Post Graduate Degree Programme (Full Time) SIBM, Hyderabad

Sr. No.	Name of the Programme	Abbreviation	Duration	Sanctioned Intake	Programme Code
1	Master of Business Administration	M.B.A.	2 Years	120	021141

12. Symbiosis Institute of Business Management (SIBM), Nagpur

a) Post Graduate Degree Programme (Full Time) SIBM, Nagpur

Sr. No.	Name of the Programme	Abbreviation	Duration	Sanctioned Intake	Programme Code
1	Master of Business Administration	M.B.A.	2 Years	180	021241
2	+ Master of Business Administration (Food and Agri Business Management)	M.B.A. (Food and Agri Business Management)	2 Years	30	021243

+ Master of Business Administration (Food and Agri Business Management) commences from the Academic Year 2022-23. vide Resolution No.B5 : BoM: 11.09.2021

b) Post Graduate Degree Programme (Part Time) SIBM, Nagpur

Sr. No.	Name of the Programme	Abbreviation	Duration	Sanctioned Intake	Programme Code
1	+ Master of Business Administration (Executive)	M.B.A. (Executive)	30 Months	30	021242

+ Master of Business Administration (Executive) commences from the Academic Year 2022-23. vide Resolution No.A2: BoM: 15.04.2022

13. Symbiosis Centre for Management Studies (SCMS), Nagpur

Under Graduate Degree Programme (Full Time) SCMS, Nagpur

Sr. No.	Name of the Programme	Abbreviation	Duration	Sanctioned Intake	Programme Code
1	Bachelor of Business Administration	B.B.A.	3 Years	180	021321

14. Symbiosis Centre for Corporate Education (SCCE), Pune

Post Graduate Degree Programme (Part Time) SCCE, Pune

Sr. No.	Name of the Programme	Abbreviation	Duration	Sanctioned Intake	Programme Code
1	Master of Business Administration (Executive)	M.B.A. (Executive)	24 Months	750	021441

+ Master of Business Administration (Executive) commences from the Academic Year 2022-23. vide Resolution No.B2 : BoM : 10.02.2022

15. Symbiosis Centre for Management Studies (SCMS), Bengaluru

Under Graduate Degree Programme (Full Time) SCMS, Bengaluru

Sr. No.	Name of the Programme	Abbreviation	Duration	Sanctioned Intake	Programme Code
1	Bachelor of Business Administration	B.B.A.	3 Years	120*	021921

* Intake increased from 60 to 120 from the Academic Year 2022-23 vide Resolution No.A20 BoM: 10.02.2022

16. Symbiosis Centre for Management Studies (SCMS), Hyderabad

Under Graduate Degree Programme (Full Time) SCMS, Hyderabad

Sr. No.	Name of the Programme	Abbreviation	Duration	Sanctioned Intake	Programme Code
1	+ Bachelor of Business Administration	B.B.A.	3 Years	120	022021

+ Bachelor of Business Administration commences from the Academic Year 2022-23. vide Resolution No.B1: BoM: 10.02.2022

C) FACULTY OF COMPUTER STUDIES

Sr. No.	Name of the Programme	Abbreviation	Duration	Sanctioned Intake	Programme Code
1	Doctor of Philosophy	Ph.D.	3 Years	-	039001

1. Symbiosis Institute of Computer Studies and Research (SICSR)

a) Post Graduate Degree Programmes (Full Time) SICSR

Sr. No.	Name of the Programme	Abbreviation	Duration	Sanctioned Intake	Programme Code
1	Master of Business Administration (Information Technology)	M.B.A. (Information Technology)	2 Years	60	030141
2	Master of Science (Computer Applications)	M.Sc. (Computer Applications)	2 Years	30	030142
3	Master of Business Administration (Digital Transformation)	M.B.A. (Digital Transformation)	2 Years	30	030144

b) Under Graduate Degree Programmes (Full Time) SICSR

Sr. No.	Name of the Programme	Abbreviation	Duration	Sanctioned Intake	Programme Code
1	*Bachelor of Computer Applications / Bachelor of Computer Applications (Honours)	B.C.A./ B.C.A.(Honours)	3 Years	180	030121
2	Bachelor of Business Administration (Information Technology)	B.B.A. (Information Technology)	3 Years	120	030122

**offer an option of Honours in Bachelor of Computer Application programme vide Resolution No.B3 BoM: 10.02.2022 from Academic Year 2022-23*



MEH

2. Symbiosis Centre for Information Technology (SCIT)

a) Post Graduate Degree Programmes (Full Time) SCIT

Sr. No.	Name of the Programme	Abbreviation	Duration	Sanctioned Intake	Programme Code
1	Master of Business Administration (Information Technology Business Management)	M.B.A. (Information Technology Business Management)	2 Years	180	030241
2	Master of Business Administration (Data Sciences and Data Analytics)	M.B.A. (Data Sciences and Data Analytics)	2 Years	60	030242

D) FACULTY OF HEALTH SCIENCES

Sr. No.	Name of the Programme	Abbreviation	Duration	Sanctioned Intake	Programme Code
1	Doctor of Philosophy	Ph.D.	3 Years	-	049001

1. Symbiosis Institute of Health Sciences (SIHS)

a) Post Graduate Degree Programmes (Full Time) SIHS

Sr. No.	Name of the Programme	Abbreviation	Duration	Sanctioned Intake	Programme Code
1	Master of Business Administration (Hospital and Healthcare Management)	M.B.A. (Hospital and Healthcare Management)	2 Years	120	040141
2	Master of Science (Medical Technology)	M.Sc. (Medical Technology)	2 Years	30	040143
3	Master of Public Health	MPH	2 Years	20*	040144
4	Master of Science (Nutrition & Dietetics)	M.Sc. (Nutrition & Dietetics)	2 Years	80**	040145
5	+ Master of Science (Assisted Reproduction Technology and Embryology)	M.Sc. (Assisted Reproduction Technology and Embryology)	2 Years	10	040146

*Intake decreased from 60 to 20 from Academic Year 2022-23 vide Resolution No. A7: BoM: 03.10.2020

** Intake increased from 60 to 80 from Academic Year 2022-23 vide Resolution No. B10: BoM: 10.02.2022

+Master of Science (Assisted Reproduction Technology and Embryology) commences from the Academic Year 2022-23. vide Resolution No. B5 : BoM : 10.02.2022

b) Under Graduate Degree Programmes (Full Time) SIHS

Sr. No.	Name of the Programme	Abbreviation	Duration	Sanctioned Intake	Programme Code
1	Bachelor of Science (Medical Technology)	B.Sc. (Medical Technology)	3 Years	120	040121
2	Bachelor of Science (Radiotherapy)	B.Sc. (Radiotherapy)	3 Years	06	040122
3	+ Bachelor of Science (Mental Health)	B.Sc. (Mental Health)	3 Years	40	040123

+ Bachelor of Science (Mental Health) commences from the Academic Year 2022-23. vide Resolution No.B4 : BoM : 10.02.2022

2. Symbiosis College of Nursing (SCON)

a) Post Graduate Degree Programme (Full Time) SCON

Sr. No.	Name of the Programme	Abbreviation	Duration	Sanctioned Intake	Programme Code
1	Master of Science (Nursing)	M.Sc. (Nursing)	2 Years	30*	040242

*Intake increased from 25 to 30 from Academic Year 2022-23 vide Resolution No. A7(b): BoM: 02.12.2021

b) Under Graduate Degree Programmes (Full Time) SCON

Sr. No.	Name of the Programme	Abbreviation	Duration	Sanctioned Intake	Programme Code
1	Bachelor of Science (Nursing)	B.Sc. (Nursing)	4 Years	80*	040221
2	Post Basic Bachelor of Science (Nursing)	P.B.B.Sc. (Nursing)	2 Years	30**	040222

*Intake increased from 50 to 80 from Academic Year 2022-23 vide Resolution No. A7(a): BoM: 02.12.2021

**Intake decreased from 60 to 30 from Academic Year 2022-23 vide Resolution No. A7(c): BoM: 02.12.2021

3. Symbiosis School of Biological Sciences (SSBS)

a) Post Graduate Degree Programmes (Full Time) SSBS

Sr. No.	Name of the Programme	Abbreviation	Duration	Sanctioned Intake	Programme Code
1	Master of Science (Biotechnology)	M.Sc. (Biotechnology)	2 Years	40	040342
2	+ Master of Science (Biochemistry)	M.Sc. (Biochemistry)	2 Years	30	040347

+ Master of Science (Biochemistry) commences from the Academic Year 2022-23. vide Resolution No.B5 : BoM : 02.12.2021

b) Post Graduate Degree Programmes (Part Time) SSBS

Sr. No.	Name of the Programme	Abbreviation	Duration	Sanctioned Intake	Programme Code
1	+ Master of Science (Life Sciences)	M.Sc. (Life Sciences)	2 Years	20	040348

+ Master of Science (Life Sciences) commences from the Academic Year 2022-23. vide Resolution No.B4 : BoM : 02.12.2021

4. Symbiosis School of Sports Sciences (SSSS)

a) Post Graduate Degree Programme (Full Time) SSSS

Sr. No.	Name of the Programme	Abbreviation	Duration	Sanctioned Intake	Programme Code
1	Master of Business Administration (Sports Management)	M.B.A. (Sports Management)	2 Years	60	040541

b) Under Graduate Degree Programme (Full Time) SSSS

Sr. No.	Name of the Programme	Abbreviation	Duration	Sanctioned Intake	Programme Code
1	+ Bachelor of Science (Sport and Exercise Science)	B.Sc. (Sport and Exercise Science)	3 Years	60	040521

+ Bachelor of Science (Sport and Exercise Science) commences from the Academic Year 2022-23. vide Resolution No.D4: BoM: 10.02.2022

5. Symbiosis School of Culinary Arts (SSCA)

Under Graduate Degree Programme (Full Time) SSCA

Sr. No.	Name of the Programme	Abbreviation	Duration	Sanctioned Intake	Programme Code
1	Bachelor of Science (Culinary Arts)	B.Sc. (Culinary Arts)	3 Years	60	040621
2	*Bachelor of Science (Hospitality and Culinary Management)	B.Sc. (Hospitality and Culinary Management)	3 Years	60	040622

* nomenclature of Bachelor of Science (Hospitality Management) change to Bachelor of Science (Hospitality and Culinary Management) programme from Academic Year 2022-23 vide Resolution No. A12: BoM: 10.02.2022

6. Symbiosis Medical College for Women (SMCW)

Under Graduate Degree Programme (Full Time) SMCW

Sr. No.	Name of the Programme	Abbreviation	Duration	Sanctioned Intake	Programme Code
1	Bachelor of Medicine and Bachelor of Surgery	M.B.B.S.	5-½ Years	150	041321

E) FACULTY OF MEDIA AND COMMUNICATION

Sr. No.	Name of the Programme	Abbreviation	Duration	Sanctioned Intake	Programme Code
1	Doctor of Philosophy	Ph.D.	3 Years	-	059001

1. Symbiosis Institute of Media and Communication (SIMC)

Post Graduate Degree Programme (Full Time) SIMC

Sr. No.	Name of the Programme	Abbreviation	Duration	Sanctioned Intake	Programme Code
1	Master of Business Administration (Communication Management)	M.B.A. (Communication Management)	2 Years	120	050143
2	Master of Arts (Mass Communication)	M.A. (Mass Communication)	2 Years	60	050144

2. Symbiosis Centre for Media and Communication (SCMC)

Under Graduate Degree Programme (Full Time) SCMC

Sr. No.	Name of the Programme	Abbreviation	Duration	Sanctioned Intake	Programme Code
1	Bachelor of Arts (Mass Communication)	B.A. (Mass Communication)	3 Years	120	050422

3. Symbiosis School of Visual Arts and Photography (SSVAP)

Under Graduate Degree Programme (Full Time) SSVAP

Sr. No.	Name of the Programme	Abbreviation	Duration	Sanctioned Intake	Programme Code
1	Bachelor of Arts (Visual Arts and Photography)	B.A. (Visual Arts and Photography)	3 Years	50	050522

F) FACULTY OF HUMANITIES AND SOCIAL SCIENCES

Sr. No.	Name of the Programme	Abbreviation	Duration	Sanctioned Intake	Programme Code
1	Doctor of Philosophy	Ph.D.	3 Years	-	069001

1. Symbiosis School of Economics (SSE)

a) Post Graduate Degree Programme (Full Time) SSE

Sr. No.	Name of the Programme	Abbreviation	Duration	Sanctioned Intake	Programme Code
1	Master of Science (Economics)	M.Sc. (Economics)	2 Years	60	060242

b) Under Graduate Degree Programme (Full Time) SSE

Sr. No.	Name of the Programme	Abbreviation	Duration	Sanctioned Intake	Programme Code
1	Bachelor of Science (Economics) Honours	B.Sc. (Economics) Honours	3 Years	150*	060222

*Intake increased from 130 to 150 from AY 2022-23 vide Resolution No. A17: BoM: 11.09.2021

2. Symbiosis School for Liberal Arts (SSLA)

Under Graduate Degree Programme (Full Time) SSLA

Sr. No.	Name of the Programme	Abbreviation	Duration	Sanctioned Intake	Programme Code
1	Bachelor of Arts (Liberal Arts) Honours / Bachelor of Science (Liberal Arts) Honours	B.A. (Liberal Arts) Honours / B.Sc. (Liberal Arts) Honours	4 Years	100	060322

3. Symbiosis School of International Studies (SSIS)

Post Graduate Degree Programme (Full Time) SSIS

Sr. No.	Name of the Programme	Abbreviation	Duration	Sanctioned Intake	Programme Code
1	Master of Arts (International Studies)	M.A. (International Studies)	2 Years	30	060441
2	+ Master of Arts (African Studies: Geo-economics and Foreign Policy)	M.A. (African Studies: Geo-economics and Foreign Policy)	2 Years	20	060442

+ Master of Arts (African Studies in Geo-economics and Foreign Policy) commencement from the Academic Year 2022-23. vide Resolution No.B8: BoM : 10.02.2022

4. Symbiosis Statistical Institute (SSI)

a) Post Graduate Degree Programme (Full Time) SSI

Sr. No.	Name of the Programme	Abbreviation	Duration	Sanctioned Intake	Programme Code
1	Master of Science (Applied Statistics)	M.Sc. (Applied Statistics)	2 Years	60*	060641

*Intake increased from 45 to 60 from AY 2022-23 vide Resolution No. A5: BoM: 02.12.2021

b) Under Graduate Degree Programme (Full Time) SSI

Sr. No.	Name of the Programme	Abbreviation	Duration	Sanctioned Intake	Programme Code
1	+ Bachelor of Science (Applied Statistics and Data Science)	B.Sc. (Applied Statistics and Data Science)	3 Years	60	060621

+ Bachelor of Science (Applied Statistics and Data Science) commencement from the Academic Year 2022-23. vide Resolution No.B9: BoM : 10.02.2022

G) FACULTY OF ENGINEERING

Sr. No.	Name of the Programme	Abbreviation	Duration	Sanctioned Intake	Programme Code
1	Doctor of Philosophy	Ph.D.	3 Years	-	079001

1. Symbiosis Institute of Technology, Pune (SIT, Pune)

a) Post Graduate Degree Programmes (Full Time) SIT, Pune

Sr. No.	Name of the Programme	Abbreviation	Duration	Sanctioned Intake	Programme Code
1	Master of Technology (Geoinformatics and Surveying Technology)	M. Tech. (Geoinformatics and Surveying Technology)	2 Years	18	070146
2	Master of Technology (Embedded Systems)	M. Tech. (Embedded Systems)	2 Years	18	070147
3	Master of Technology (Robotics and Automation)	M. Tech (Robotics and Automation)	2 Years	18	070148
4	Master of Technology (Artificial Intelligence and Machine Learning)	M. Tech. (Artificial Intelligence and Machine Learning)	2 Years	30*	070149
5	+ Master of Technology (Engineering Design)	M. Tech. (Engineering Design)	2 Years	12	070150

*Intake increased from 24 to 30 from Academic Year 2022-23 vide Resolution No.A4(b): BoM : 02.12.2021

+ Master of Technology (Engineering Design) commencement from the Academic Year 2022-23. vide Resolution No.A1: BoM : 18.05.2021

b) Post Graduate Degree Programmes : Part Time: SIT, Pune

Sr. No.	Name of the Programme	Abbreviation	Duration	Sanctioned Intake	Programme Code
1	+ Master of Technology (Engineering Design)	M. Tech. (Engineering Design)	3 Years	18	070151

+ Master of Technology (Engineering Design) commencement from the Academic Year 2022-23. vide Resolution No.A1: BoM : 18.05.2021.

c) Under Graduate Degree Programmes (Full Time) SIT, Pune

Sr. No.	Name of the Programme	Abbreviation	Duration	Sanctioned Intake	Programme Code
1	Bachelor of Technology (Civil Engineering)	B. Tech. (Civil Engineering)	4 Years	60	070121
2	Bachelor of Technology (Computer Science and Engineering)	B.Tech. (Computer Science and Engineering)	4 Years	180	070122
3	Bachelor of Technology (Electronics & Tele-Communication Engineering)	B.Tech. (Electronics & Tele-Communication Engineering)	4 Years	120	070123
4	Bachelor of Technology (Mechanical Engineering)	B. Tech. (Mechanical Engineering)	4 Years	60	070125
5	Bachelor of Technology (Artificial Intelligence and Machine Learning)	B. Tech (Artificial Intelligence and Machine Learning)	4 Years	120*	070126
6	Bachelor of Technology (Robotics and Automation)	B. Tech (Robotics and Automation)	4 Years	60	070127

*Intake increased from 60 to 120 from Academic Year 2022-23 vide Resolution No. A4: BoM: 02.12.2021

2. Symbiosis Institute of Geoinformatics (SIG)

Post Graduate Degree Programme (Full Time) SIG

Sr. No.	Name of the Programme	Abbreviation	Duration	Sanctioned Intake	Programme Code
1	Master of Science (Geoinformatics)	M.Sc. (Geoinformatics)	2 Years	60	070241
2	Master of Science (Data Science & Spatial Analytics)	M. Sc (Data Science & Spatial Analytics)	2 Years	40	070243

3. Symbiosis Institute of Technology (SIT), Nagpur

Under Graduate Degree Programmes (Full Time) SIT, Nagpur

Sr. No.	Name of the Programme	Abbreviation	Duration	Sanctioned Intake	Programme Code
1	Bachelor of Technology (Computer Science and Engineering)	B. Tech. (Computer Science and Engineering)	4 Years	240*	070521

*Intake increased from 120 to 240 from Academic Year 2022-23 vide Resolution No. A11: BoM: 10.02.2022

H) FACULTY OF ARCHITECTURE AND DESIGN

1. Symbiosis Institute of Design (SID), Pune

Under Graduate Degree Programme (Full Time) SID

Sr. No.	Name of the Programme	Abbreviation	Duration	Sanctioned Intake	Programme Code
1	Bachelor of Design	B. Des.	4 Years	180	080121

2. Symbiosis School of Planning, Architecture and Design (SSPAD), Nagpur

Under Graduate Degree Programme (Full-Time) SSPAD, Nagpur

Sr. No.	Name of the Programme	Abbreviation	Duration	Sanctioned Intake	Programme Code
1	Bachelor of Design	B. Des.	4 Years	60	080222

IV) PROGRAMMES DEFERRED*/ STAGGERED**/ DISCONTINUED*** -

1. Symbiosis Centre for Information Technology (SCIT)

Post Graduate Degree Programme (Part Time) SCIT

Sr. No.	Name of the Programme	Abbreviation	Duration	Sanctioned Intake	Programme Code
1	Master of Business Administration (Executive) Information Technology	M.B.A. (Executive) Information Technology	30 Months	40	030248

Discontinued from the Academic Year 2021-22 vide Resolution No. A15: BoM: 10.02.2022

2. Symbiosis School of Media and Communication (SSMC), Bengaluru

Post Graduate Degree Programme (Full Time) SSMC, Bengaluru

Sr. No.	Name of the Programme	Abbreviation	Duration	Sanctioned Intake	Programme Code
1	Master of Business Administration (Communication Management)	M.B.A. (Communication Management)	2 Years	80	050341

Discontinued from the Academic Year 2022-23 vide Resolution No. A18: BoM: 11.09.2021



3. Symbiosis School of Planning, Architecture and Design (SSPAD), Nagpur

Under Graduate Degree Programme (Full-Time) SSPAD, Nagpur

Sr. No.	Name of the Programme	Abbreviation	Duration	Sanctioned Intake	Programme Code
1	Bachelor of Architecture	B. Arch.	5 Years	40	080221

Discontinued from the Academic Year 2022-23 vide Resolution No. A21: BoM: 10.02.2022

***Deferred:** Programme approved for commencement in the respective Academic Year, but could not be started due to low admissions/ unforeseen circumstances.

****Staggered:** Programme that was operational in the earlier Academic Years, but is not being offered in the current Academic Year, but not discontinued.

*****Discontinued:** Programme that was operational in the earlier Academic Years and has been discontinued from Current Academic Year.

V) SUMMARY OF THE DEGREE PROGRAMMES

Faculty	Name of the Institute	Doctoral Ph. D.	Degree			Total
			PG (FT)	PG (PT)	UG (FT)	
Faculty of Law (FoL)		01	-	-	-	01
	SLS, Pune	-	01	-	03	04
	SLS, NOIDA	-	01	-	02	03
	SLS, Hyderabad	-	01	-	02	03
	SLS, Nagpur	-	01	-	02	03
	Total	01	04	00	09	14
	Faculty of Management (FoM)		01	-	-	-
SIBM, Pune		-	02	01	-	03
SIIB		-	03	-	-	03
SCMHRD		-	03	01	-	04
SIMS		-	01	01	-	02
SIDTM		-	01	-	-	01
SCMS, Pune		-	-	-	01	01
SIOM, Nashik		-	02	-	-	02
SIBM, Bengaluru		-	03	01	-	04
SSBF		-	01	-	-	01
SCMS, NOIDA		-	-	-	01	01
SIBM, Hyderabad		-	01	-	-	01
SIBM, Nagpur		-	02	01	-	03
SCMS, Nagpur		-	-	-	01	01
SCCE, Pune		-	-	01	-	01
SCMS, Bengaluru		-	-	-	01	01
SCMS, Hyderabad		-	-	-	01	01
Total	01	19	06	05	31	
Faculty of Computer Studies (FoCS)		01	-	-	-	01
	SICSR	-	03	-	02	05
	SCIT	-	02	-	-	02
	Total	01	05	00	02	08

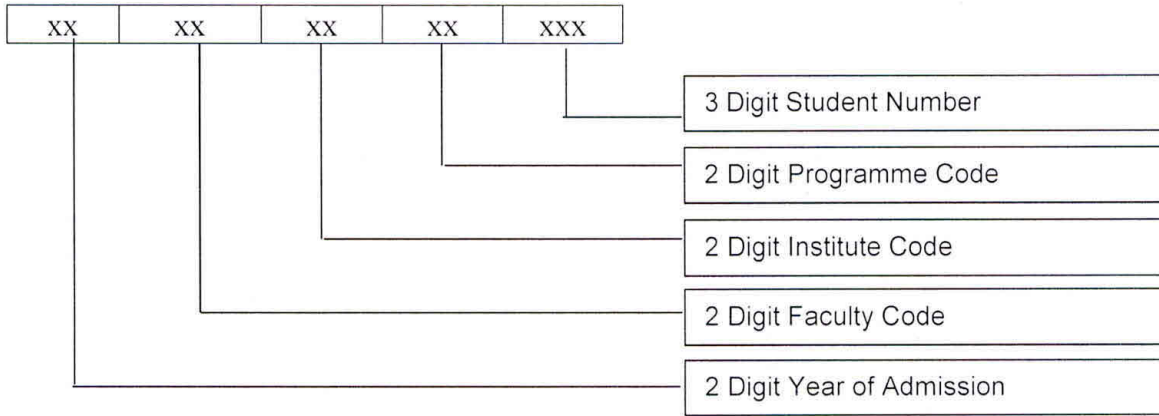
MSB

Faculty	Name of the Institute	Doctoral	Degree			Total
			Ph. D.	PG (FT)	PG (PT)	
Faculty of Health Sciences (FoHS)		01	-	-	-	01
	SIHS	-	05	-	03	08
	SCON	-	01	-	02	03
	SSBS	-	02	01	-	03
	SSSS	-	01	-	01	02
	SSCA	-	-	-	02	02
	SMCW	-	-	-	01	01
	Total		01	09	01	09
Faculty of Media and Communication (FoMC)		01	-	-	-	01
	SIMC	-	02	-	-	02
	SSMC, Bengaluru	-	-	-	-	-
	SCMC	-	-	-	01	01
	SSVAP	-	-	-	01	01
	Total		01	02	00	02
Faculty of Humanities and Social Sciences (FoHSS)		01	-	-	-	01
	SSE	-	01	-	01	02
	SSLA	-	-	-	01	01
	SSIS	-	02	-	-	02
	SSI	-	01	-	01	02
	Total		01	04	00	03
Faculty of Engineering (FoE)		01	-	-	-	01
	SIT, Pune	-	05	01	06	12
	SIG	-	02	-	-	02
	SIT, Nagpur	-	-	-	01	01
	Total		01	07	01	07
Faculty of Architecture and Design (FoAD)	SID	-	-	-	01	01
	SSPAD, Nagpur	-	-	-	01	01
	Total	00	00	00	02	02
	Total	07	50	08	39	104

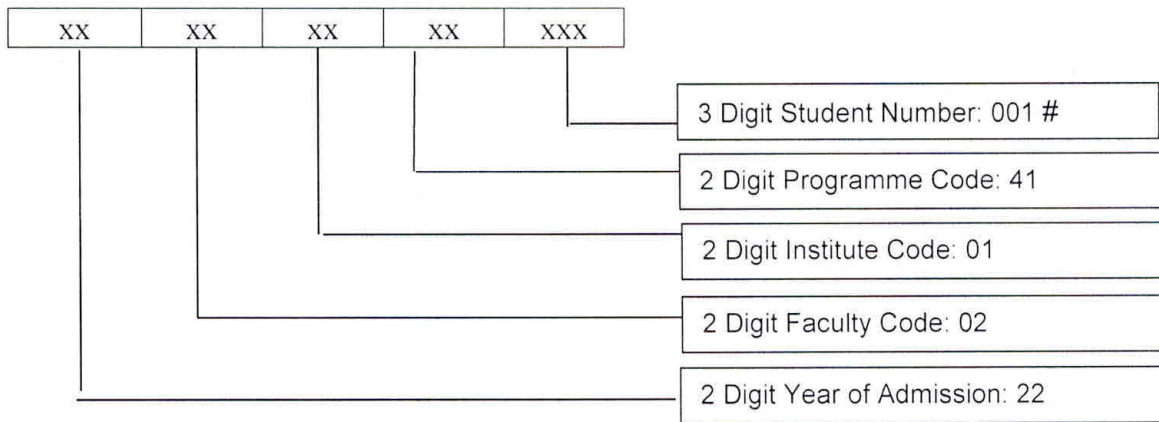


MEB

VI) PROCEDURE FOR ALLOTMENT OF PERMANENT REGISTRATION NUMBER TO THE STUDENTS FOR THE ACADEMIC YEAR 2022-23



Sample: PRN for MBA Student of SIBM, Pune for Academic Year 2022-23



PRN = 22020141001

The 3 Digit student number would be serially generated starting from **001**.
The 3 Digit student number for **lateral entry/ biannual** would be generated starting from **501**.

Permanent Registration Number shall be given by the concerned Constituent to students admitted to the approved Programme of the University.

SIU/U-28/22/ **2542**
Dated: 23rd May, 2022



Mohyudin
Dr. M. S. Shejul
Registrar

Copy for information to: The Hon'ble Chancellor, Pro Chancellor, Vice Chancellor, Principal Director, Symbiosis, Dean-Academics and Administration, Symbiosis, Deans of Faculties of Symbiosis International (Deemed University), Director, Deputy Director, Administrative Officer/ Assistant Administrative Officer/ Officer Superintendent of Constituent Institutes / Departments of SIU, Officers of Symbiosis Society and Symbiosis International (Deemed University).